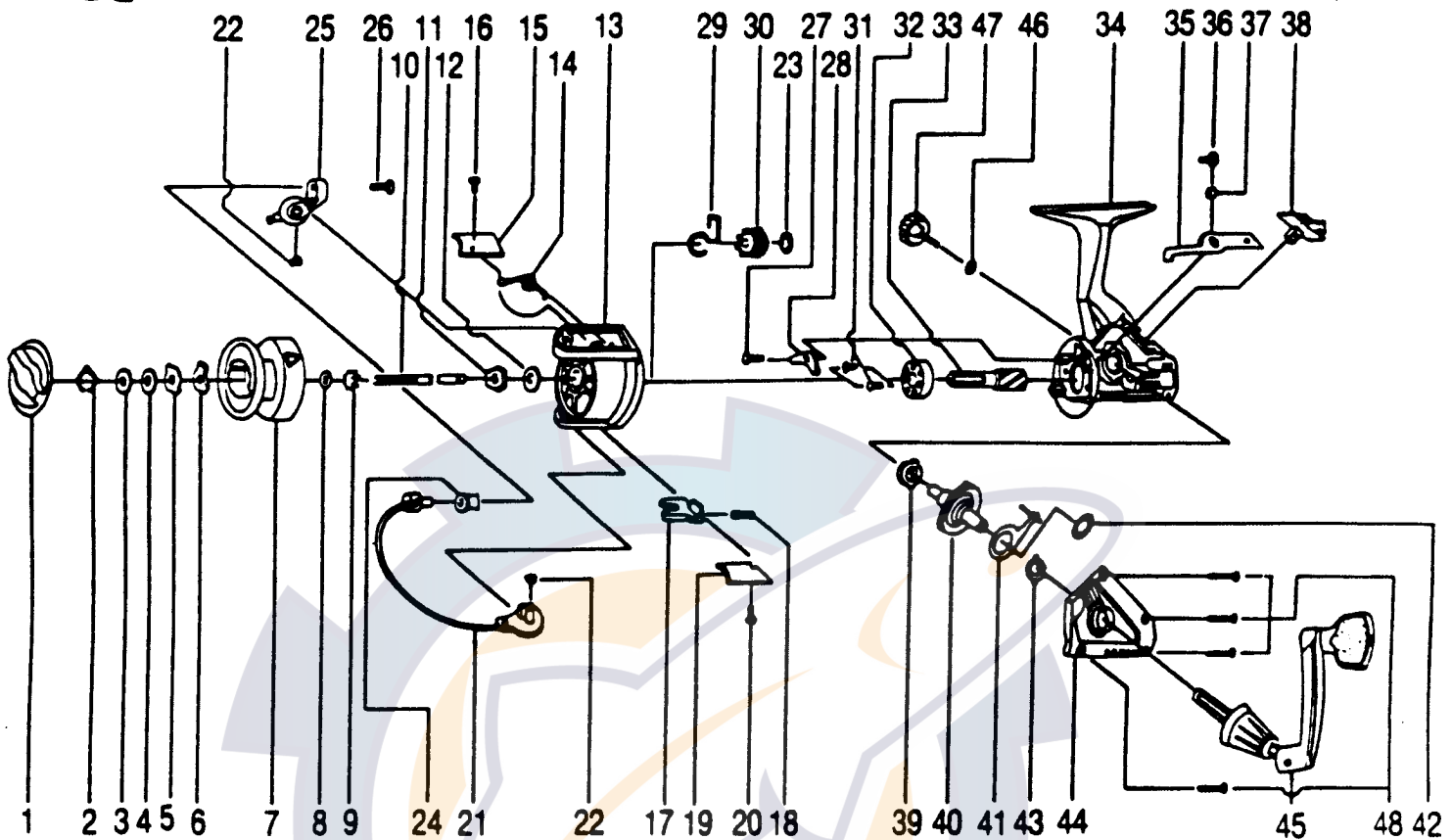


# QUANTUM' QL20



KEY PART NO. NO.	DESCRIPTION	PRICE	KEY PART NO. NO.	DESCRIPTION	PRICE
1 PQ032	DRAG KNOB	4.02	26 MQ108	BAIL SCREW	.58
2 PQ038	SPOOL RING	.64	27 PQ110	A/R STOPPER SCREW	.52
3 PQ050	SPOOL WASHER "D"	.92	28 PQ064	A/R STOPPER	1.00
4 PQ033	SPOOL WASHER "B"	.85	29 PQ086	SLIDING SPRING	.85
5 PQ029	SPOOL WASHER "A"	.92	30 MQ060	RACLET GEAR	2.87
6 PQ147	SPOOL WAVE WASHER	1.14	31 MQ080	BEARING SCREW	1.14
7 PQ321	SPOOL ASSY. (KEYS 2-7)	5.68	32 MQ028	BALL BEARING	9.59
8 PQ030	SPOOL ADJ. WASHER	.64	33 PQ011	PINION GEAR	4.55
9 MQ037	CLICK GEAR	.85	34 PQ001	BODY	10.82
10 PQ015	MAIN SHAFT	4.02	35 PQ063	A/R CAM	1.39
11 PQ006	ROTOR NUT	.92	36 MQ083	A/R CAM SCREW	.39
12 PQ065	ROTOR RETAINER WASHER	.69	37 MQ091	A/R CAM BUSHING	.92
13 PQ009	ROTOR	5.90	38 MQ090	A/R LEVER	.92
14 PQ022	BAIL SPRING	.92	39 MQ013	BODY BUSHING	1.24
15 PQ087	BAIL SPRING COVER	1.03	40 PQ012	DRIVE GEAR	4.87
16 MQ085	COVER SCREW	.52	41 PQ325	O/S SLIDER ASSY	2.98
17 PQ019	KICK LEVER	1.61	42 MQ026	DRIVE GEAR ADJ. WASHER	.46
18 PQ049	KICK LEVER SPRING	.39	43 MQ013	BODY BUSHING	1.24
19 PQ024	KICK LEVER COVER	.98	44 PQ023	BODY COVER	5.46
20 MQ085	COVER SCREW	.52	45 PQ318	HANDLE ASSEMBLY	9.05
21 PQ347	BAIL ASSY	4.02	46 PQ105	HANDLE SCREW CAP WASHER	.52
22 PQ034	E-CLIP	.29	47 MQ073	HANDLE SCREW CAP	1.98
23 PQ126	PINION BUSHING WASHER	.52	48 MQ057	BODY COVER SCREW	.69
24 PQ004	LINE ROLLER	2.41			
25 PQ007	ARM LEVER	1.14			

Prices subject to change without notice. Prices do not include postage and handling.

**PLEASE ORDER BY PART NUMBER**

Rev. 11/90

Zebco Division Brunswick Corporation, Box 270, Tulsa, OK 74101 USA 918-836-5581

